

People flow sensor

Detect people going in and out of a doorway automatically, and in real time.

Our people flow sensors detect when a person walks towards or away (bi-directional) from the sensor. The small, discrete sensors are mounted above a single doorway and send a message each time a person enters or exits through the doorway. You can use the data to report people flow in/out of a room in real-time or count how many people have entered or exited a room.

Features



Time-of-flight sensor detects people and the direction of movement through a single-occupant doorway



Privacy and GDPR compliant: sensors only detect movement. No cameras. Fully anonymous



86-98% accuracy. Comes with a mounting bracket to minimise door interference

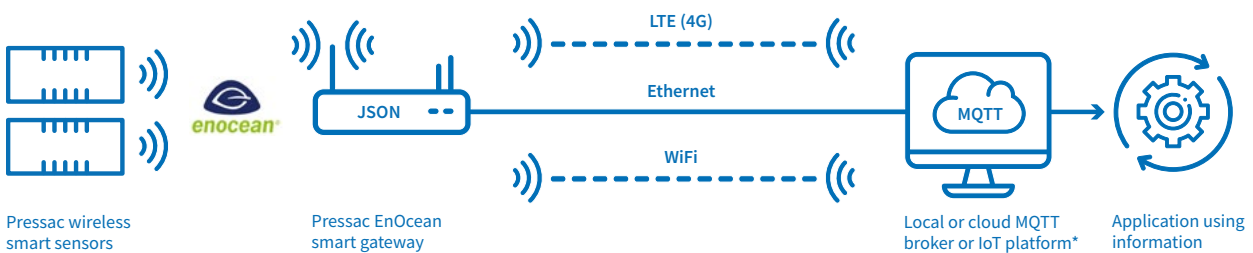


Transmit data wirelessly and securely – via EnOcean wireless protocol, which uses internationally approved, licence-free ISM bands



Integrating sensor data

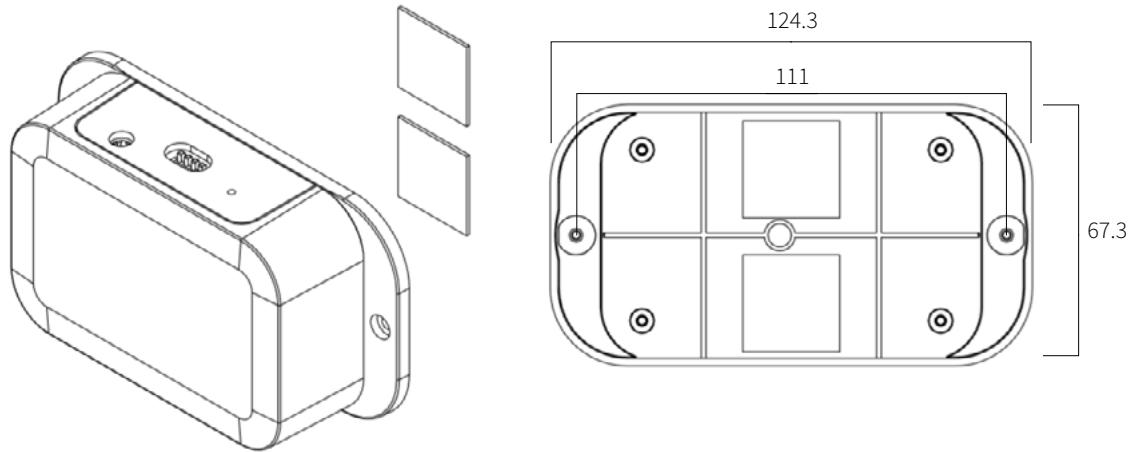
Our smart gateway receives near real-time data from all sensors within range, converts the raw data into an easy-to-use JSON format, then publishes it using MQTT protocol. Data can be sent - via Ethernet, LTE (4G) or WiFi – to any local or cloud MQTT broker; securely to IBM Watson IoT, Microsoft Azure IoT Hub or AWS IoT Core; directly into Google Sheets; or to a Node-RED application.



*Ready-made connections with:



Technical specification



Measurement	<p>Transmission rate: reports in-flow or out-flow in real time</p> <p>Detection range: depends on height of sensor. Based on a 2.5m high single door, movement is detected 1.2 metres across the door and 0.6 metres into the door from the centre of the sensor</p> <p>Max door height: 2.8m</p> <p>Max door width: 1m</p> <p>Detection angle: 13° from the vertical</p> <p>Detection height: Above 50cm</p>
Power specification	<p>Powered: 5V USB to DC mains adapter (supplied)</p>
Wireless specification	<p>Protocol: EnOcean</p> <p>Radio frequency: 868 MHz for Europe and other countries adopting RED</p> <p>Range: up to 30 metres in buildings and 300 metres in free field</p> <p>Telegram type: 1BS</p> <p>EnOcean Equipment Profile (EEP): D5-00-01</p> <p>Security: 128 AES encryption configurable ON/OFF</p>
Enclosure specification	<p>Material: ABS plastic</p> <p>IP rating: IP40</p> <p>Dimensions: 67 x 124 x 35mm (approx)</p>
Installation	<p>Fixing: adhesive pads or screws provided. Can be fitted with or without mounting bracket (provided)</p> <p>Positioning: central directly above door frame on non-out swinging side</p> <p>Operating temperature: 0°C to +40°C</p> <p>Storage temperature: -20°C to +55°C</p> <p>Environment: indoor</p> <p>Calibration: automatic to it's installed height</p>
Compliance	<p>CE approved, RoHS compliant</p>
Part number	<p>PFW_SD_PSU_E868_S</p>

