

Single Channel CT Clamp V3

Part No: CTV3. [868]-[902]-[928].1CH.[060A]

The Pressac Sensing V3 1 Channel CT Clamp is designed to measure and report the AC current flowing in a single channel. Powered from the measured conductor, the measured current in the channel is reported every 30 seconds using the industry standard, wireless EnOcean® protocol. With a maximum measurable current of 60A the Pressac Sensing V3 1 Channel CT Clamp is easily installed with no disturbance to the measured conductor.



Features and Benefits:

- Energy harvesting – powered from the measured cable
- Wireless communications – low installation costs, no networking required
- Rapid installation straightforward and easy set-up with no disruption
- Pluggable - for ease of installation
- No batteries to replace – no maintenance costs
- Appliance fingerprinting – Monitor the operational costs of each appliance day by day



206-000372

Functionality:

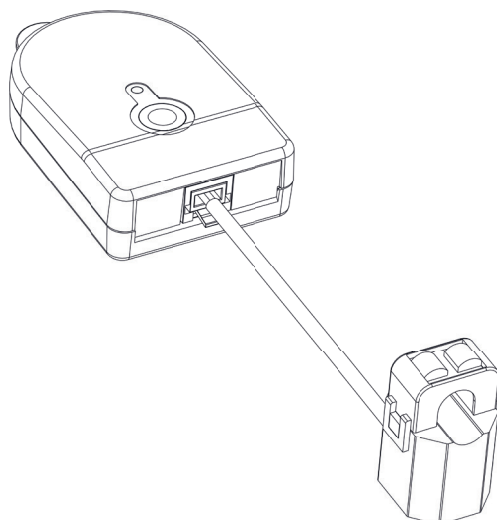
- Simply clip around any single core cable
- Requires no batteries or wiring
- Requires no interruption to the power supply
- Transmits electrical current value (Amperes) wirelessly using EnOcean® technology

Applications:

- Plant energy monitoring
- Energy reduction targeting
- Sub metering

Single Channel CT Clamp V3

Part No: CTV3. [868]-[902]-[928].1CH.[060A]



TECHNICAL SPECIFICATIONS

Measurement Range	1A - 60A
Frequency	50 or 60Hz
Accuracy - whichever is greater	60A = +/- 0.1A or 2%
Transmission Rate	30 Seconds
Reported Value	Channel 1 in Amps
Repeater	No
Environment	IP 4X
Enclosure Material	Nylon 66
Sample Time	Average of 5 measurements per 30 seconds
Telegram	VLD
Calibration	Not Required
Operating Temperature & Humidity Range	-5°C to +40°C; 85% RH
Storage Temperature & Humidity Range	-20°C to +55°C; 85% RH
Diameter of Measureable Conductor	60A - 10mm
Dimensions of Clamp	25mm x 22mm x 35mm approx.
Dimensions of Case	80mm x 55mm x 20mm approx.
EEP	D2-32-00



Pressac Sensing products incorporate EnOcean® wireless technology, and are fully compliant with EnOcean® protocols. The Pressac Sensing range can be integrated with EnOcean® products from over 300 global manufacturers.

EnOcean® is a widely established and global technology, and has been installed in over 250,000 buildings worldwide. The EnOcean® wireless standard is the first to be ratified as an international standard - ISO/IEC 14543-3-10: together with the EnOcean® Equipment Profiles (EEPs) drawn up by the EnOcean® Alliance, this international standard lays the foundation for fully interoperable, open wireless technology comparable to standards such as Bluetooth and WiFi. The standard can be downloaded from www.iso.org.



Pressac Communications Limited

145 Glaisdale Drive West, Bilborough, Nottingham, NG8 4GY (UK)

+44 (0)115 936 5200 enquiries@pressac.com www.pressac.com

Registered in England No. 5623170 VAT No. GB 228 0228 31 Registered Office: 145 Glaisdale Drive West, Bilborough, Nottingham NG8 4GY (UK)



FM79693 EMS71291